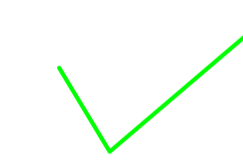
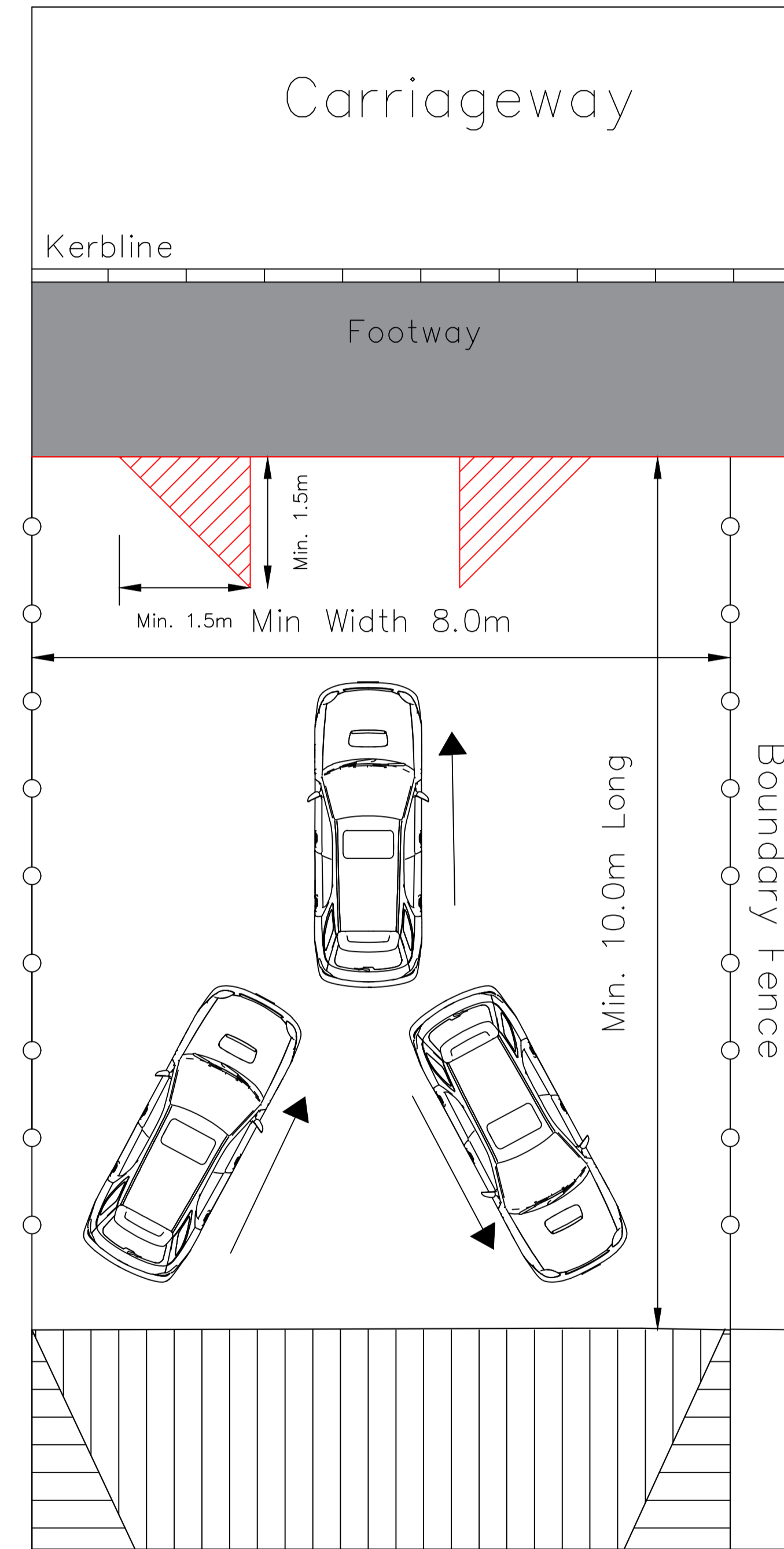
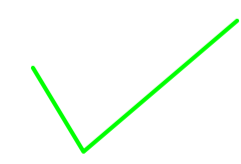
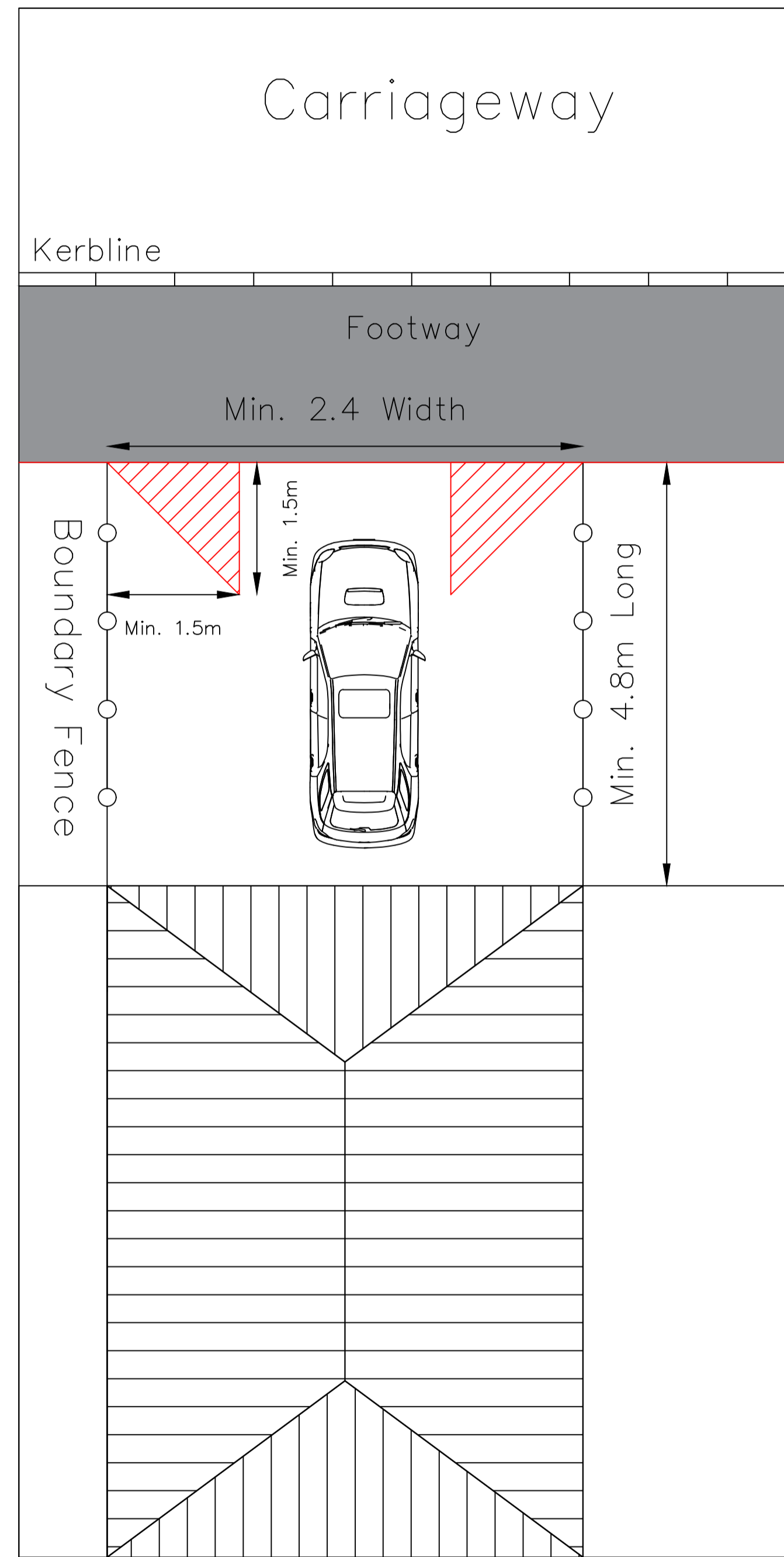
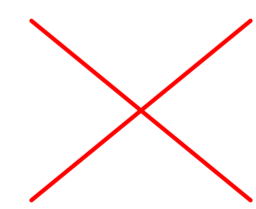
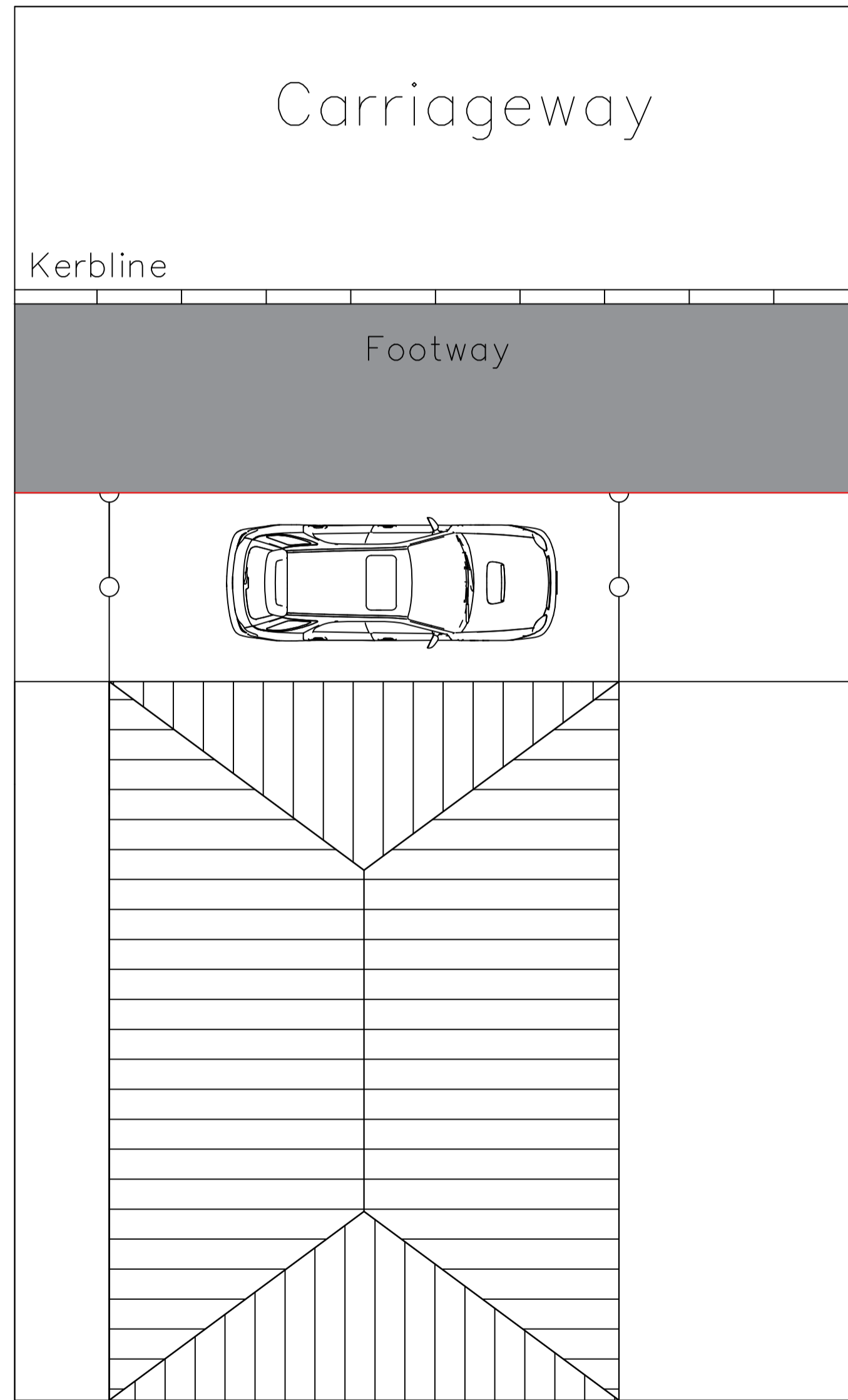




NOTES
 Visibility splay required

NON-CLASSIFIED ROADS

CLASSIFIED ROAD NETWORK (SRN)



Any other parking arrangement will NOT be acceptable.

REV	DRAWN	SIG	DATE	CHKD	SIG	DATE	APP	SIG	DATE
-	-	-	-	-	-	-	-	-	-

This map is reproduced from Ordnance Survey material with the permission of Ordnance Survey on behalf of the Controller of Her Majesty's Stationery Office. Crown copyright. Unauthorised reproduction infringes Crown copyright and may lead to prosecution or civil proceedings. London Borough of Croydon. Licence No. 100017660. 2014

JOB NAME			
PROPOSED AREA & VISIBILITY			
DRAWING TITLE			
VEHICLE CROSSOVER & VISIBILITY			
DESIGNER	VERIFIED	SCALE AT A1	DATE
DO	BF	1:50	02/03/21
PLACE DEPARTMENT			
HIGHWAY DEVELOPMENT			
DRAWING NO			